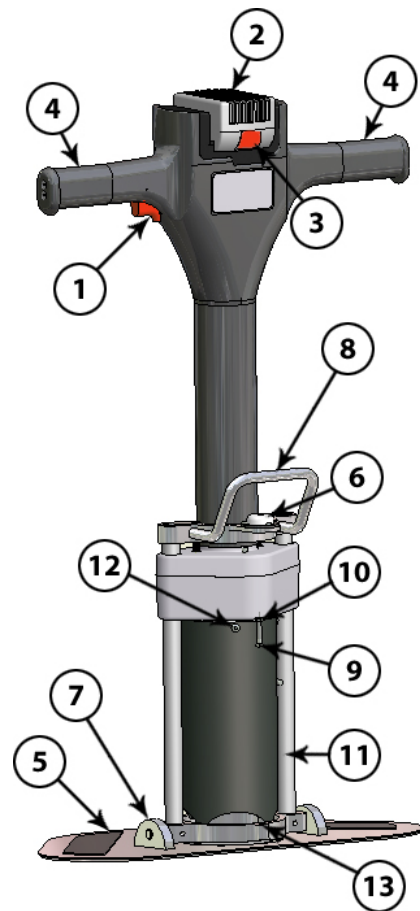


Operating instruction eCutter

Machine Elements:

1. On/Off switch
2. Battery
3. Battery unlocking button
4. Grip
5. Footplate
6. Spirit Level
7. Hinge point
8. Transportation handle
9. Adjusting screw (depth)
10. Adjusting nut (depth)
11. Shell
12. Bolts
13. Stopping point



Intended Use

The machine is intended for cutting holes in greens on golf courses.
The holes have a diameter of max. 108 mm and a depth of max. 200 mm.

For Your Safety

Safe usage of the machine presupposes that the instructions for use and safety are read carefully and observed.

- The machine and battery are to be checked before use. If there are any defects, the machine should not be used. Repairs must be undertaken by a professional. Do not open the machine.

- When the machine is not in use (storing, repairing etc.) the battery must be removed. Unintentionally activating the On/Off switch can cause injuries.
- Control that the battery is in the correct position before use.
- During use hold both hands on the grips and place feet on the footplate.
- The machine must never be operated by children.
- FSH machines a/s can only guarantee correct usage of eCutter when original spare parts/extra equipment are used.

Battery and Charger

Please read the enclosed manual from Bosch.

- Do not open the battery. The battery must be protected from shocks and impact. Must be kept dry and in a frost-free environment.
- Batteries heated from use must be cooled of before recharging
- The battery must be protected against heat, frost and fire: Danger of explosion! Do not place the battery on heated surfaces such as radiators e.g. and keep the battery away from direct sunlight. Temperatures above 50°C are not recommendable.
- Batteries must not be disposed of into household waste nor may they be burned. See environmental protection.

Before using the eCutter

Charging the battery:

Charging begins as soon as the battery is placed in the slot on the plugged-in charger.

Due to the intelligent charging method, the charging condition of the battery is automatically detected, and the battery is charged with the optimum charging current, depending on battery temperature and voltage. This protects the battery and keeps it fully charged, while being kept in the charger.

Starting Operation

Inserting the battery.

Gently push the battery down into the eCutter's battery slot. Do not activate the On/Off switch (1) at the same time.

Start and stop

To start the machine, press the On/Off switch (1) and keep pressure on it.

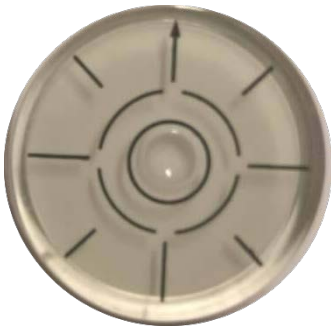
The machine runs with variable speed between 0 and maximum, depending on the pressure applied to the On/Off switch (1). Light pressure results in a low speed thus allowing smooth, controlled starts. Do not strain the machine so much it overloads and comes to a standstill.

To switch off the machine, release the On/Off switch.

Operation Instructions

Cutting a hole with the eCutter.

1. Carry the machine onto the green by lifting the eCutter in the transportation handle (8).
2. Place the eCutter where the hole is intended and by the help of the level (6) adjust eCutter into the correct position.
3. Place feet on the footplate (5), pull the grip and using the level, adjust the eCutter to the correct position. Please note when standing on the footplate, it is only possible to adjust the shell (11) over the hinge points (7).



4. Hold the machine firm in the grips (4) and activate the On/Off switch (1). Put a gentle pressure on the grips (4) and let the shell (11) go down.
5. **IMPORTANT:** Observe the levels all the way to cut a perfect hole.
6. The hole is complete when the adjustment screw (9) reach the stopping point (13). Then release the On/Off switch (1).
7. Remove feet from the footplate (5) and carefully lift the eCutter. *Please note:* To ensure that the plug of earth stays in the shell (11) pierce the plug with the vacuum spear to equalize the underpressure.

Replacing the plug in the old hole.

1. Take the eCutter to the old hole and place the shell (11) in the hole.
2. Place your feet on the footplate (5) and lift the eCutter in its grips (4).
Please note: Keep your back straight and use your legs to lift; and activate the On/Off switch (1) at the same time as lifting up in the grips (4).

On website: www.fshmachines.com a video demonstrates how to operate the eCutter.

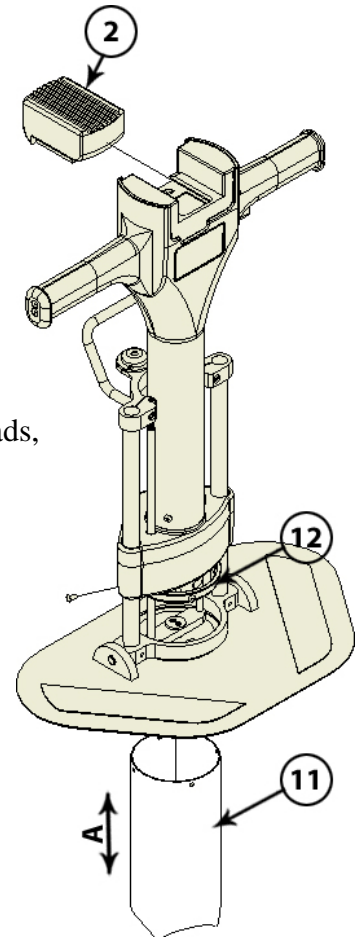
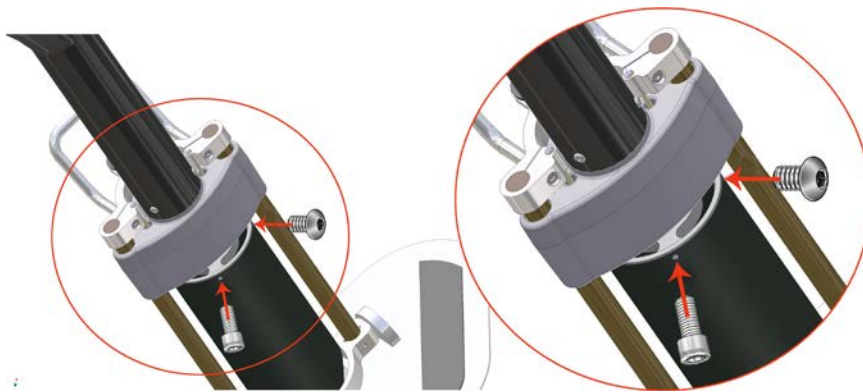
To ensure the best quality please keep the edges of the shell sharpened.

Replacement of the shell

The battery must be removed, before working on the machine.

1. Place the machine on a vertical surface.
2. Loosen and remove the four bolts (12).
3. Pull the shell (11) in direction A – downwards out of the footplate (5).
4. The new shell is to be taken up through the footplate.
5. The four screws (12) are to be replaced through the holes in the shell (11) and tightened.

IMPORTANT: The long screws must be installed in the deep threads, The short screws must be installed in the short threads.



Adjustment of the depth of a hole

The battery must be removed, before working on the machine.

Loosen nut (10) and adjust the adjustment screw (9) until the depth is correct. Tighten the nut (10) to fix adjustment screw (9) in its position.

Cleaning

The battery must be removed, before working on the machine.

High pressure water must not be used during cleaning of the machine.

General Safety Rules and Instructions

Rules from USGA and R&A.

The Royal and Ancient Golf of St Andrews (R&A)

The United States Golf Association (USGA)

The hole must be 4. inches (108 mm) in diameter and at least 4 inches (101,6 mm) deep. If a lining is used, it must be sunk at least 1 inch (25,4 mm) below the putting green surface.

Instructions from USGA and R&A

The hole shall be cut vertical and not necessary perpendicular to the green surface.

If the hole is cut on a slope, the gradient must not be so high, that the ball increases its speed.

In a radius of approximately one meter the green has to be as horizontal as possible.

Troubleshooting:

Symptom	Solution
Motor will not run	<ol style="list-style-type: none"> 1. Recharge battery 2. The allowed battery temperature of 70°C is exceeded; the electronic control switches off the eCutter until the temperature is in the optimum range again.
Plug stay inside shell	Use vacuum spear
Plug is too high after replacing it	<ol style="list-style-type: none"> 1. Do not start motor when ejecting plug 2. Use lower speed when the hole is cut
Hard to pull eCutter up from the ground	Observe the levels all the way up
Uneven depth of holes	Rotate eCutter 360° before pulling it up.
eCutter is spinning around when cutting	Drill a hole in the upper corner of the footplate and insert vacuum spear when cutting holes.
eCutter is losing power	<ol style="list-style-type: none"> 1. Battery is empty 2. Protection against overloading is enabled. Shake eCutter and try again.

Protection of the environment

Batteries must not be disposed into household waste, water or fire.

Batteries must be collected, recycled or disposed of in an environmentally-friendly way.

Power tools, accessories and packaging should be sorted for environmental-friendly recycling.

Only for EC countries:

Do not dispose of power tools into household waste! According to the European Directive 2002/96/EC on waste electrical and electronic equipment and its incorporation into national law, power tools that are no longer suitable for use must be separately collected and sent for recovery in an environmental-friendly manner.

Service and customer Assistance

FSH machines ApS
Klokkestøbervej 31
8800 Viborg
Denmark
Phone: +45 87 25 00 15
info@fshmachines.com
www.fshmachines.com

CE Declaration of Conformity

We declare under our sole responsibility that this product is in conformity with the following standards or standardization documents: EN60745 according to the provisions of the directives 2004/108/EC, 98/37/EC (until 28 Dec 2009), 2006/42/EC (from 29 Dec 2009).



Finn Skade Hansen
Managing Director

FSH machines ApS
Klokkestøbervej 31
8800 Viborg
Denmark
Phone: +45 87 25 00 15
info@fshmachines.com
www.fshmachines.com